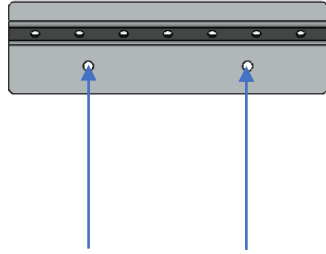


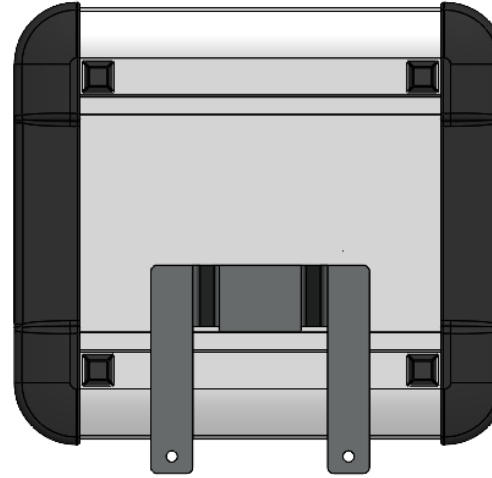
1.



Screw locations

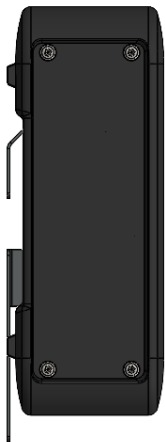
Secure bracket to wall

2.



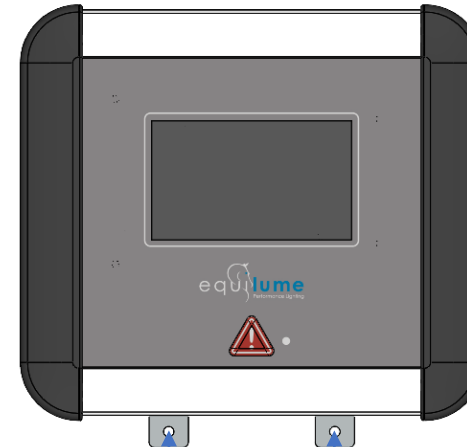
Hang the other bracket from the back of the controller in the location shown here.

3.



Hang the controller from the first bracket with the second bracket in position at the back of the controller

4.



Screw locations

Secure lower bracket to wall.

This final step will secure the controller in place.

Follow these steps in reverse order to remove the controller from the wall.